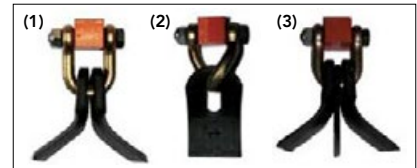


# FLAIL MOWER WITH SIDE SHIFT

<http://tiny.cc/flailmowerside>



## ACI ATTACHMENT CONTROL INTERFACE



### FEATURES & BENEFITS

- Hydraulic side shift and angle control flail mower
- Powerful attachment
- Equipped with direct drive hydraulic motor
- ACI: control all movements on a fingertip

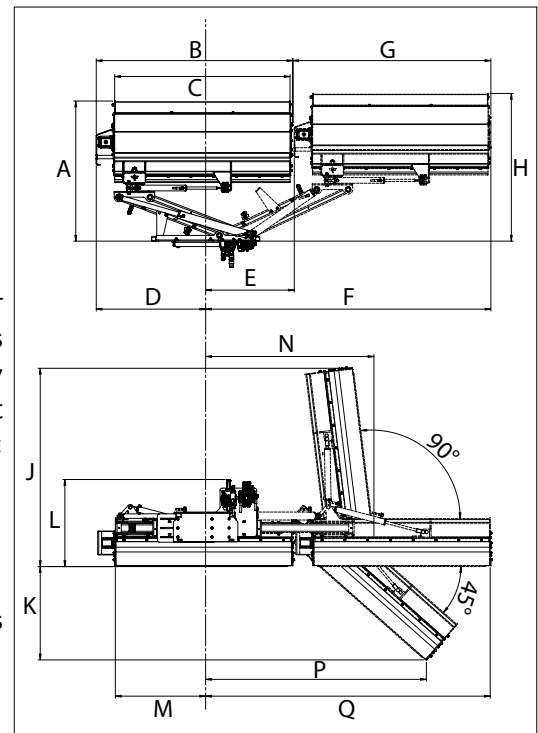
Use this hydraulically powered flail mower with side shift for heavy shrubs and weeds, and see what it can do! Not only is its heavy duty construction, combined with the power and stability of the MultiOne, perfect for use on slopes, but it's also perfect for mulching in parks and other hard to reach places. Features:

- 1) Standard in-line front flail mower.
- 2) Offset length (174 cm / 68.5 in).
- 3) To -45° angle ditch mower.
- 4) To +90° angle bank and hedge mower.

Y blades <sup>(1)</sup> comes standard, it can be equipped with Paddle Blades <sup>(2)</sup> (C035307) or Verticut <sup>(3)</sup> (C035312 + Y blade).

**Notes: machine must be equipped with ACI.**

The floating boom valve on the machine is suggested.



### Dimensions (cm / in)

Mod.	A	B	C	D	E	F	G	H	J	K	L	M	N	P	Q
110	123	128	109	96	78	205	174	130	129	53	76	79	148	159	215
	48.4	50.2	42.9	37.8	30.6	80.9	68.4	51	51	20.7	30	31.2	58.1	62.7	84.6
125	123	143	124	96	78	220	174	130	144	63	76	79	148	170	230
	48.4	56.1	48.8	37.8	30.6	86.8	68.4	51	56.8	24.6	30	31.2	58.1	67.1	90.5

Model	Cutting Width	Tools	Rotation Angle	Max Side Shift	Weight	Code
110	100 cm (39.4 in)	20	+90° / - 45°	174 cm (68.5 in)	277 kg (610 lbs)	<b>C890785</b>
125	115 cm (45.3 in)	24	+90° / - 45°	174 cm (68.5 in)	300 kg (662 lbs)	<b>C890786</b>

Compatibility	1.1	2.3	4.2	5.2	5.3	6.3	7.2	8.4	8.5	11.6	11.9	EZ5	EZ7 EZ8
<b>Model</b>													
110													
125													

Very compatible      Compatible      Not compatible

